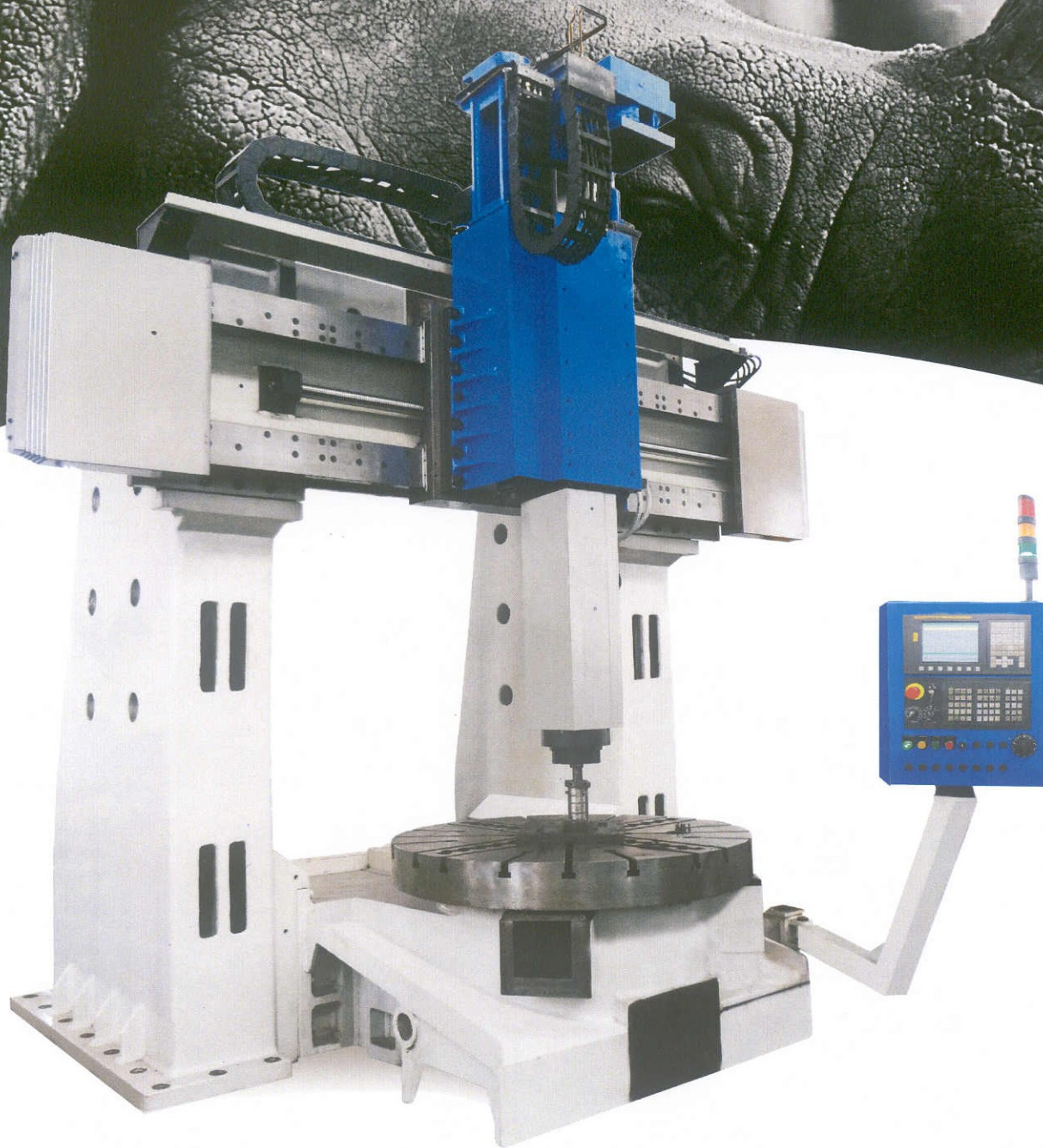


PMT Machines Limited

AN ISO 9001 : 2008 COMPANY



VC SERIES

DOUBLE COLUMN VERTICAL LATHES

- Double column robust vertical lathes
- Servo digital controlled -Precision slides
- Large Dia tables suitable for heavy jobs
- Variable speed table high torque 2 stage drive
- High graded rigid cast iron structures
- Built in 4 Jaw robust chuck
- Ergonomically designed control pendent
- Effective swarf management system
- Optional variants for complete solution
- Latest Fanuc / Siemens controllers

**630MM/800MM(VC25)/ 1M(VC40)/ 1.25M(VC50)/1.5M(VC60)
2M(VC-75) / 2.25M(VC-75) Table Diameter**

CNC VERTICAL TURNING LATHES

MACHINE SPECIFICATION

			VC-25C	VC-40C	VC-50C	VC-60C	VC-75C	
			VC-25T	VC-40T	VC-50T	VC-60T	VC-75T	
			VC-25R	VC-40R	VC-50R	VC-60R	VC-75R	
1	Table dia. - with 4 manual jaw box or 3 jaw hydraulic chuck	mm	630/800(A2-15)	1000	1250	1500	2000	2250
2	Max. job swing dia	mm	1000	1800	2200	2200	3000	3100
3	Max. turning dia	mm	800/1000	1200	2000	2000	2600	3000
4	Horizontal stroke of ram head - x axis	mm	750	1800	2200	2200	2600	2600
5	Vertical stroke of ram - z axis	mm	600	800/1000	800/1000/1200	800/1000/1200	800/1000/1200	1000/1200/1500
6	Ram section	mm	170*380(T)	250x250 or 300x300	250x250 or 300x300	250x250 or 300x300	250x250 or 300x300	250x250 or 300x300
7	Table speed range infinitely variable in 2 ranges	rpm	20-1000/1200	3-350	3-250	3-250	2-194	2-160
8	Table ac spindle motor (fanuc / siemens)	kw	15/18	39/45/58/60	39/45/58/60/80	39/45/58/60/80	39/45/58/60/80	45/58/60/80
9	Height of table top from ground	mm	1070	1070	1070	1070	1070	1070
10	Height between table top to tool holder tip	mm	700	1070/1600	1070/1600	1070/1600	1070/1600	1070/1600/2000
11	Max. job weight	kg	2000	6000	8000	8000	9000/12000	12000
12	Spring clamping and hydraulic declamping							

Optional

13	Spindle taper	ISO	-	50	50	50	50	50
14	Live spindles speed variable in 2 ranges	rpm	16/2000	16-2000 or 20/3000	16-2000 or 20/3000	16-2000 or 20/3000	16-2000 or 20/3000	16-2000 or 20/3000
15	Live spindle motor power with ZF 2K x 300 2 speed gear box	kw	Special Turret	18/22	18/22	18/22	18/22	18/22

Auto Tool Changer

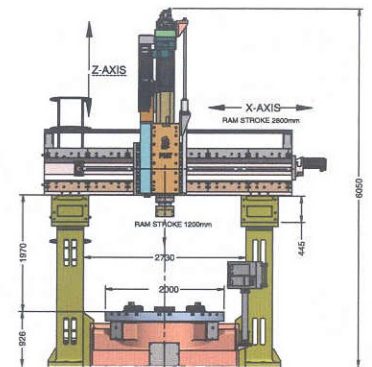
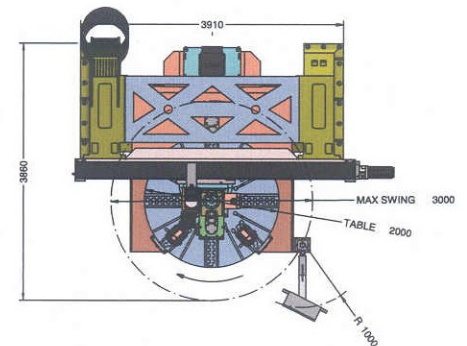
Tool No.	no	12 / 20
Tool	sec	45
Tool Nose Taper	ISO 50	ISO 50

Turret

Turret	Type	Turret(O)
Turret	Nos	4
Tool Holding Shank	mm	32 / 40
Indexing Accuracy	Arc sec	6"
Indexing Repeatability	Arc sec	+ 1.4"
Indexing Tool Station	Nos	4
Indexing Time for 1 Station	sec	5

Live Spindle (O)

Spindle Bearing I D Dia	mm	90
Spindle Speed I Range	rpm	16-500 or 20-750
Spindle Speed II Range	rpm	64-2000 or 80-3000
Spindle Motor Power	kw	18/22
Speed Stage (ZF Gear Box)	no	2



M/c Layout Diagram

PMT MACHINES LIMITED

Head Office & Works : P. O. Box No.1102, Behind PCMC Building, Mumbai-Pune Road, Pimpri, Pune - 411 018. (India)
 Tel. No.: +91-20-27426219 to 24 Fax.: +91-20-27426231/35 E-mail: rd@pmtmachines.com, marketing@pmtmachines.com Website: www.pmtmachines.com
Halol Works : 178, Kadachala, Halol - 389350. Gujarat (India)
 Tel.: +91 2676 246786/87 Fax.: +91 2676 246788
 E-mail: cb@pmtmachines.com, mkt.brd@pmtmachines.com

Sales and Service Network

- MUMBAI : 214, Linkway Estate C.S.T. No. 1093, New Link Road, Malad (W), Mumbai - 400 064.
- NEW DELHI : 03 & 04, 4th Floor, Parmesh Corporate Tower 13, District Centre, Karkardooma, Delhi - 110 092
- BANGALORE : # 32, Ground Floor, V. N.R. Road, Madhav Nagar, Bangalore - 560 001.
- CHENNAI : Flat No. 'H', 3rd Floor, Mount Chambers, 758 Anna Salai, Chennai - 600 002.
- COIMBATORE : Door No.11, 11nd Floor, 343, SVP Complex, Avarampalayam Rd, Sidhapudur, Coimbatore - 641 044
- JAMSHEDPUR : P. O. Kitadih, Near New Post Office, Tatanagar, Jamshedpur - 831 007.
- VADODARA : Sandesara Estate, Kamdhenu Park, Atladra, Padra Road, Vadodara - 390 012.

- Tel. No.: 28758273
- Tel. No.: 22375921
- Tel. No.: 22384971
- Tel. No.: 28515532
- Tel. No.: 98403 66822
- Tel. No.: 99341 19234
- Tel. No.: 246787/89

- Fax: (022) 28758273
- Fax: (011) 22375923
- Fax: (080) 22384065
- Fax: (044) 28515534
- Fax: (0657) 2230941
- Fax: (02676) 246788
- pmtmumbai@gmail.com
- pmtdelhi@pmtmachines.com
- pmtbangalore6@gmail.com
- pmtmadras02@gmail.com
- pmtcbe@gmail.com
- pmt_jsr@yahoo.com
- mkt.brd@pmtmachines.com